

Eco4847P



Nominal DC Voltage ¹	51.2V
Operational Voltage Window ¹	40V to 58.4V
Nominal Capacity	4.7kWh (92Ah)
Usable Capacity ²	4.7kWh (92Ah)
Recommended Usable Capacity	3.76kWh
Depth of Discharge	Up to 100%
Recommended Depth of Discharge	80% or less
Continuous Discharge C-Rate	0.68C
Maximum Continuous Discharge Current	63A (3.22kW)
Maximum Discharge (Limited by K-Curve Circuit Breaker)	63A (3.22kW)
Maximum Charge Current	63A (3.22kW)
Nominal Charge Current	46A (2.35kW)
Battery Fault Current	250A
Circuit Breaker (K-Curve)	2-Pole 63A 360VDC
Lithium Composition	Lithium Ferro Phosphate (LiFePO ₄ or LFP)
Operating Temperature Range	Charge: 4° to 51°C / Discharge -6° to 56°C
Recommended Maximum Ambient Temperature Range	-10°C to 50°C
Operating Humidity	Up to 85% – Non-condensing
BMS Under/Over-Volt Module Level Protection ¹	40V / 58.4V
BMS Under/Over-Volt Cell Level Protection	2.5V / 3.65V
BMS Over/Under-Temp Cut Off	Charge: 53°C / 2°C Discharge: 58°C / -8°C
Self Discharge	<14% Per Annum
Altitude	< 2000m (seek advice from PowerPlus Energy above 2000m)
Battery Mounting Options	Standard 19" Rack Mount / Horizontal / Vertical
Terminal Connections	Amphenol Surlok 100A Non-keyed
IP Rating	IP40
Efficiency	>96%
Cooling	Natural Convection
Parallel Connection	Unlimited – Refer to Manufacturer
Series Connection	Not Permitted
Alarm Output	Normally Closed. Volt-free, 100mA 60V Max
Communications	Alarm Output
Module Weight	43kg
Battery Dimensions	635mm D x 443mm W x 88mm H
Certifications	Battery: IEC 62619:2017 (Pending), UN38.3 (Pending), IEC 61000-6-3:2020 (Pending), IEC 62368-1:2018 (Pending) Battery Cells: UL 1642, IEC 62619:2017
Warranty	10 Years (conditions apply)

1. Voltages are specified at the battery terminals.

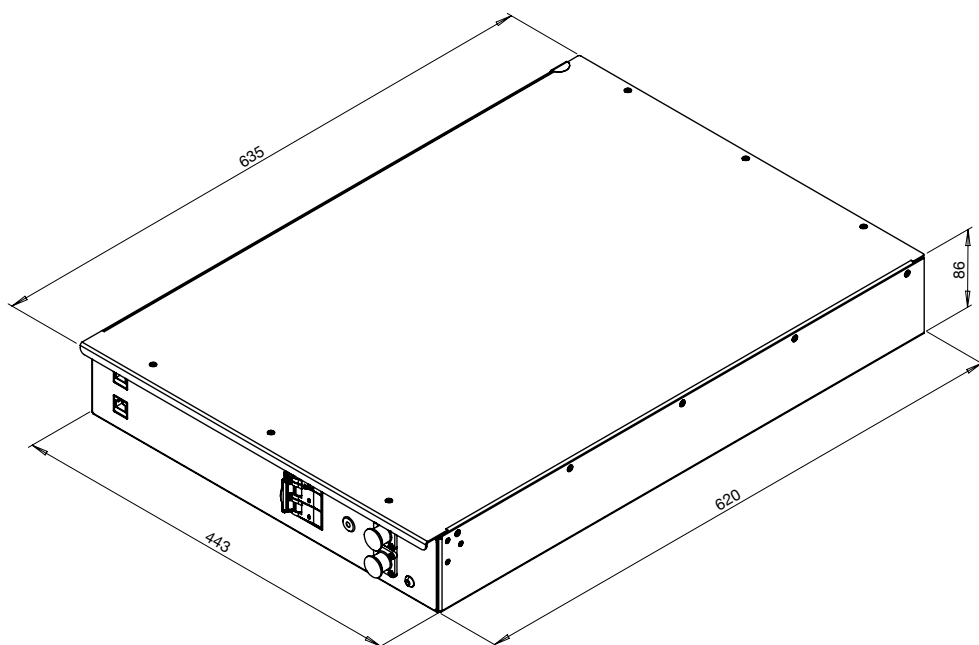
2. The usable capacity is measured under specific conditions of 0.25C.

Specifications correct at time of publication and are subject to change. Refer to website for latest information.



Connected PCE Programming Requirements (Voltages based on measurement at battery terminals)

Shutdown DC Voltage (No Load)	50V
Shutdown DC Voltage (0.5C)	48V
Recovery / Restart Voltage	52V
Continuous Charge Voltage	55.7V
Continuous Charge Transition	Battery is considered full after battery is absorbing less than 0.5% of maximum charge current after being held at specified charge voltage for 30 minutes minimum.
Float Voltage Cyclic (Short Term Float) (Example Solar Application)	55.7V
Float Voltage Standby (Long Term Float) (Example UPS Application)	55.2V
Charge Current	46A
Peukert Exponent	1.02
Shutdown SoC Recommended	20%
Calibration to 100%	Every 7 days or more frequent where possible. (Ensures cell balancing is performed and keeps external SoC counter more accurate)



Specifications correct at time of publication and are subject to change. Refer to website for latest information.

